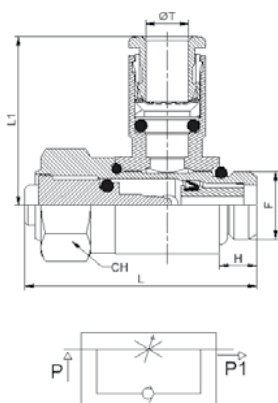


DT78

DOSATORE UNIDIREZIONALE PER VALVOLA CILINDRICO BSPP-METRICO

UNIDIRECTIONAL REGULATOR FOR VALVE PARALLEL BSPP-METRIC

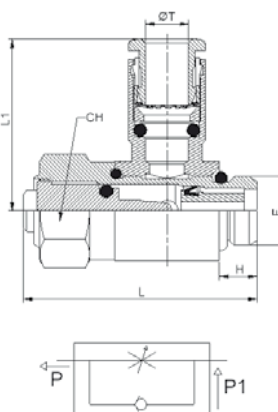


Codice/Code	ØT	F	H	L	L1	CH	
DT78M504	4	M5	4	22.5	17	8	20
DT781804	4	G1/8	5.5	34	21.1	14	20
DT78M506	6	M5	4	22.5	19.5	8	20
DT781806	6	G1/8	5.5	34	24.3	14	20
DT781406	6	G1/4	6.5	42	25.5	17	20
DT781808	8	G1/8	5.5	34	24.8	14	20
DT781408	8	G1/4	6.5	42	26.5	17	20
DT783808	8	G3/8	7.5	46.5	28	20	10
DT781410	10	G1/4	6.5	42	28.4	17	20
DT783810	10	G3/8	7.5	46.5	29.9	20	10
DT783812	12	G3/8	7.5	46.5	31.4	20	10

DT79

DOSATORE PER CILINDRO UNIDIREZIONALE CILINDRICO BSPP-METRICO

UNIDIRECTIONAL REGULATOR FOR CYLINDER PARALLEL BSPP-METRIC

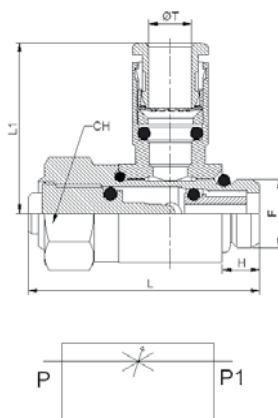


Codice/Code	ØT	F	H	L	L1	CH	
DT79M504	4	M5	4	22.5	17	8	20
DT791804	4	G1/8	5.5	34	21.1	14	20
DT79M506	6	M5	4	22.5	19.5	8	20
DT791806	6	G1/8	5.5	34	24.3	14	20
DT791406	6	G1/4	6.5	42	25.5	17	20
DT791808	8	G1/8	5.5	34	24.8	14	20
DT791408	8	G1/4	6.5	42	26.5	17	20
DT793808	8	G3/8	7.5	46.5	28	20	10
DT791410	10	G1/4	6.5	42	28.4	17	20
DT793810	10	G3/8	7.5	46.5	29.9	20	10
DT793812	12	G3/8	7.5	46.5	31.4	20	10
DT791212	12	G1/2	9	53	34.9	25	10
DT791214	14	G1/2	9	53	35.5	25	10

DT80

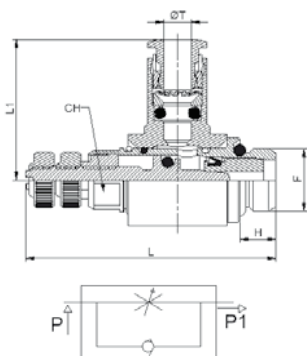
DOSATORE BIDIREZIONALE CILINDRICO BSPP-METRICO

BIDIRECTIONAL REGULATOR PARALLEL BSPP-METRIC



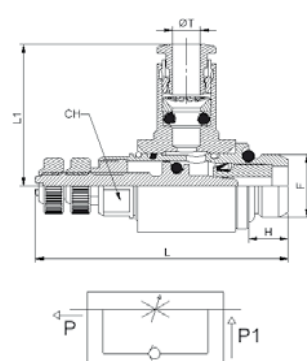
Codice/Code	ØT	F	H	L	L1	CH	
DT80M504	4	M5	4	22.5	17	8	20
DT801804	4	G1/8	5.5	34	21.1	14	20
DT80M506	6	M5	4	22.5	19.5	8	20
DT801806	6	G1/8	5.5	34	24.3	14	20
DT801406	6	G1/4	6.5	42	25.5	17	20
DT801808	8	G1/8	5.5	34	24.8	14	20
DT801408	8	G1/4	6.5	42	26.5	17	20
DT803808	8	G3/8	7.5	46.5	28	20	10
DT801410	10	G1/4	6.5	42	28.4	17	20
DT803810	10	G3/8	7.5	46.5	29.9	20	10
DT803812	12	G3/8	7.5	46.5	31.4	20	10

DT78P

DOSATORE UNIDIREZIONALE PER VALVOLA CILINDRICO BSPP-METRICO
UNIDIRECTIONAL REGULATOR FOR VALVE PARALLEL BSPP-METRIC


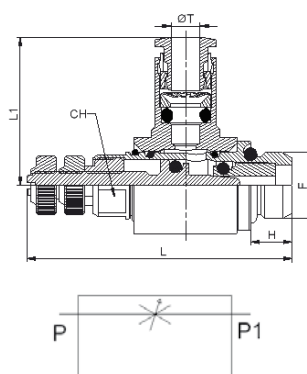
Codice/Code	ØT	F	H	L	L1	CH	
DT78PM504	4	M5	4	33.7	19.5	8	20
DT78P1804	4	G1/8	5.5	43	21.1	9	20
DT78PM506	6	M5	4	33.7	22.3	8	20
DT78P1806	6	G1/8	5.5	43	24.3	9	20
DT78P1406	6	G1/4	6.5	50	25.5	12	20
DT78P1808	8	G1/8	5.5	43	24.8	9	20
DT78P1408	8	G1/4	6.5	50	26.5	12	20
DT78P3808	8	G3/8	7.5	66.3	28	20	10
DT78P1410	10	G1/4	6.5	50	28.4	12	20
DT78P3810	10	G3/8	7.5	66.3	29.9	20	10
DT78P3812	12	G3/8	7.5	66.3	31.4	20	10

DT79P

DOSATORE PER CILINDRO UNIDIREZIONALE CILINDRICO BSPP-METRICO
UNIDIRECTIONAL REGULATOR FOR CYLINDER PARALLEL BSPP-METRIC


Codice/Code	ØT	F	H	L	L1	CH	
DT79PM504	4	M5	4	33.7	19.5	8	20
DT79P1804	4	G1/8	5.5	43	21.1	9	20
DT79PM506	6	M5	4	33.7	22.3	8	20
DT79P1806	6	G1/8	5.5	43	24.3	9	20
DT79P1406	6	G1/4	6.5	50	25.5	12	20
DT79P1808	8	G1/8	5.5	43	24.8	9	20
DT79P1408	8	G1/4	6.5	50	26.5	12	20
DT79P3808	8	G3/8	7.5	66.3	28	20	10
DT79P1410	10	G1/4	6.5	50	28.4	12	20
DT79P3810	10	G3/8	7.5	66.3	29.9	20	10
DT79P3812	12	G3/8	7.5	66.3	31.4	20	10

DT80P

DOSATORE BIDIREZIONALE CILINDRICO BSPP-METRICO
BIDIRECTIONAL REGULATOR PARALLEL BSPP-METRIC


Codice/Code	ØT	F	H	L	L1	CH	
DT80PM504	4	M5	4	33.7	19.5	8	20
DT80P1804	4	G1/8	5.5	43	21.1	9	20
DT80PM506	6	M5	4	33.7	22.3	8	20
DT80P1806	6	G1/8	5.5	43	24.3	9	20
DT80P1406	6	G1/4	6.5	50	25.5	12	20
DT80P1808	8	G1/8	5.5	43	24.8	9	20
DT80P1408	8	G1/4	6.5	50	26.5	12	20
DT80P3808	8	G3/8	7.5	66.3	28	20	10
DT80P1410	10	G1/4	6.5	50	28.4	12	20
DT80P3810	10	G3/8	7.5	66.3	29.9	20	10
DT80P3812	12	G3/8	7.5	66.3	31.4	20	10

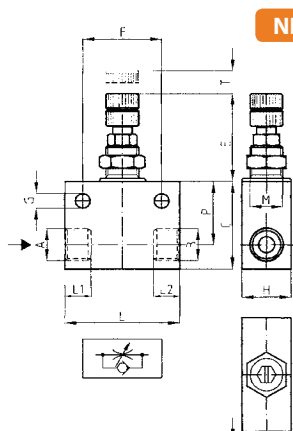
DT81P

DOSATORE DI FLUSSO UNIDIREZIONALE F.F.

UNIDIRECTIONAL FLOW REGULATOR F.F.



Codice/Code	A-B	L1-L2	L	C	H	M	F	G	E	P	T	
DT81PM5M5	M5	6	25	20	12	10X1	18	4,5	23	15	5	10
DT81P1818	G1/8	8	35	27	15	10X1	24	4,5	26	19,5	7	10
DT81P1414	G1/4	9,5	40	30	18	10X1	24	4,5	26	21	7	10
DT81P3838	G3/8	10,5	45	35	22	15X1	30	6	31	25	8,5	10
DT81P1212	G1/2	12	57	40	27	15X1	30	6	31	26	8,5	10



NEW

Pressione di esercizio **PRESSIONE**
Working pressure *Pressure*
0,5-10 Bar

Temperatura di utilizzo 0°C +65°C
Temperature range

Materiali **Corpo in alluminio 11S anodizzato nero**
Materials **Vite di regolazione in ottone nichelato**
Body aluminium 11S black anodization
Screw regulation in brass nickel plated

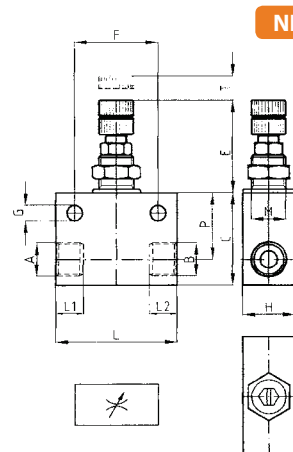
DT82P

DOSATORE DI FLUSSO BIDIREZIONALE F.F.

BIDIRECTIONAL FLOW REGULATOR F.F.



Codice/Code	A-B	L1-L2	L	C	H	M	F	G	E	P	T	
DT82PM5M5	M5	6	25	20	12	10X1	18	4,5	23	15	5	10
DT82P1818	G1/8	8	35	27	15	10X1	24	4,5	26	19,5	7	10
DT82P1414	G1/4	9,5	40	30	18	10X1	24	4,5	26	21	7	10
DT82P3838	G3/8	10,5	45	35	22	15X1	30	6	31	25	8,5	10
DT82P1212	G1/2	12	57	40	27	15X1	30	6	31	26	8,5	10



NEW

Pressione di esercizio **PRESSIONE**
Working pressure *Pressure*
0,5-10 Bar

Temperatura di utilizzo 0°C +65°C
Temperature range

Materiali **Corpo in alluminio 11S anodizzato nero**
Materials **Vite di regolazione in ottone nichelato**
Body aluminium 11S black anodization
Screw regulation in brass nickel plated